
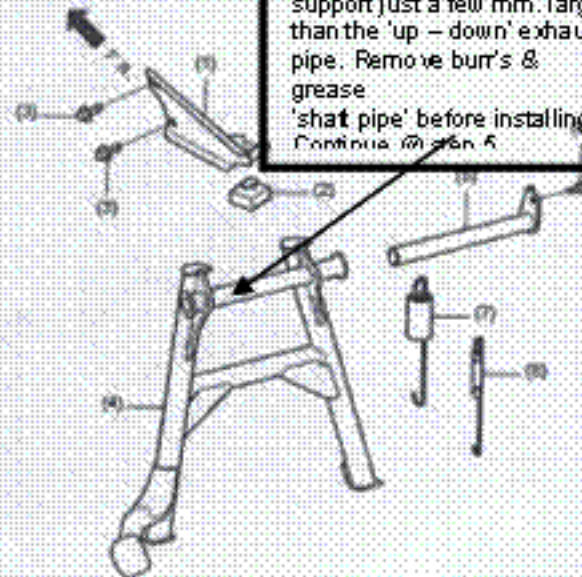




A. The charcoal canister on the California bike must be removed to allow center stand installation.
 B. This modification will make all the disassembly & re-assembly operations mute.

| | | | |
|--|--|-------------------------------------|--|
|  HONDA INSTALLATION INSTRUCTIONS | <i>Part No.</i> CENTERSTAND KIT P/N 08M50-MCZ-100 | <i>Application</i> CB900F | <i>Publication No.</i> MII 9619 (0203) |
| | | | <i>Issue Date</i> December 2002 |
| | Honda Dealer: Please give a copy of these instructions to your customer. | | |

PARTS LIST



Remove a section of this support just a few mm. larger than the 'up-down' exhaust pipe. Remove burr's & grease 'shut pipe' before installing. Continue on p. 5

TORQUE CHART

Tighten all screws, bolts, and nuts to their specified torques. Refer to the Service Manual for the tightening torques of removed parts.

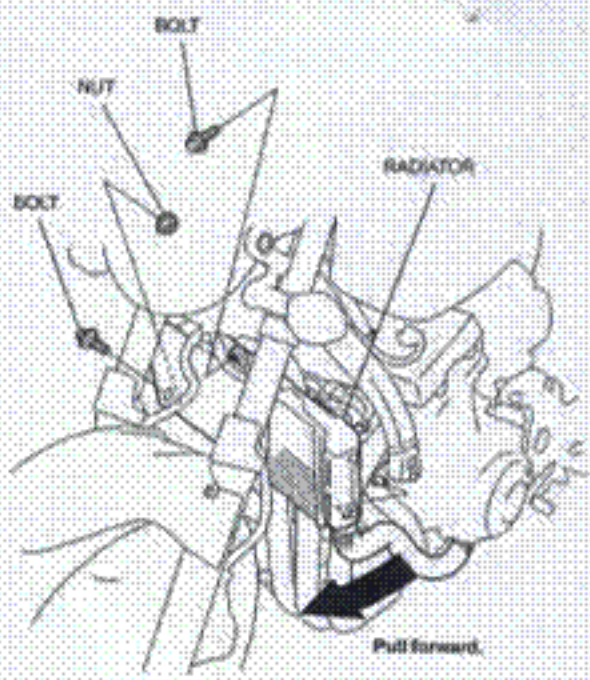
| Item | N.m | kgf.m | lbf.ft |
|----------------------------|-----|-------|--------|
| 6 mm flange bolt | 12 | 1.2 | 9 |
| 8 mm flange bolt | 20 | 2.7 | 20 |
| Exhaust pipe joint nut | 20 | 2.0 | 14 |
| Exhaust pipe band bolt/nut | 27 | 2.8 | 20 |

INSTALLATION

NOTE:

- Allow the engine and exhaust to cool completely before installing the centerstand.
- Be extremely careful when installing the springs as the combined tension of the springs is very strong.
- Take care not to damage other parts during installation. Use a shop towel or equivalent material to protect these parts.

1. Remove the radiator mounting bolts and pull the radiator forward as shown.



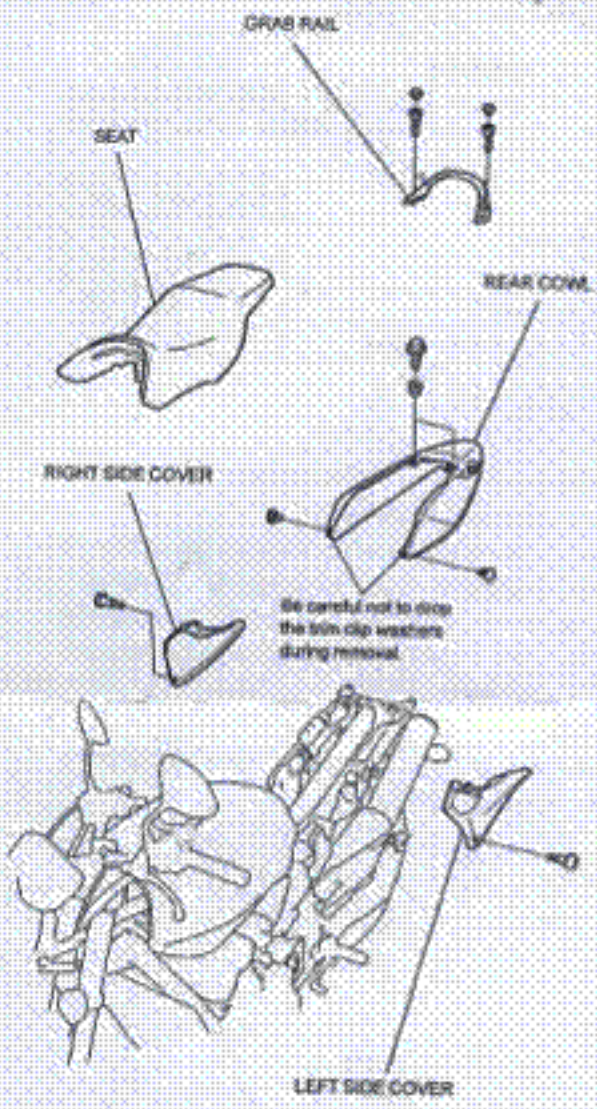
| No. | Description | Qty |
|-----|-----------------------------|-----|
| (1) | Centerstand stopper | 1 |
| (2) | Rubber | 1 |
| (3) | 8 mm flange bolt | 2 |
| (4) | Centerstand | 1 |
| (5) | Shaft pipe | 1 |
| (6) | 6 mm flange bolt | 1 |
| (7) | Main stand spring and cover | 1 |
| (8) | Main stand sub spring | 1 |

TOOLS AND SUPPLIES REQUIRED

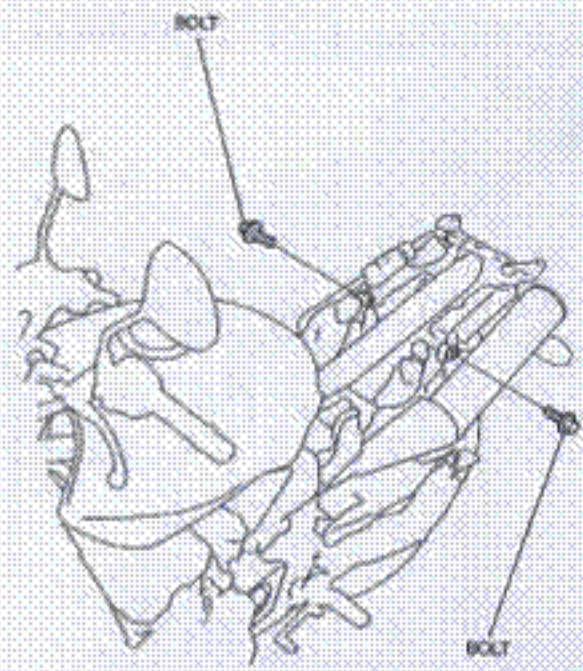
- Socket (8, 10, 12 mm)
- Ratchet
- Ratchet extension (long and short)
- Open-end wrench (10 and 12 mm)
- Hex wrench (5 and 6 mm)
- Torque wrench
- Grease
- Spring puller

I would suggest that a very small air cleaner or piece of foam be attached to the end of the tube going to the 'Evap Canister Purge Valve'.

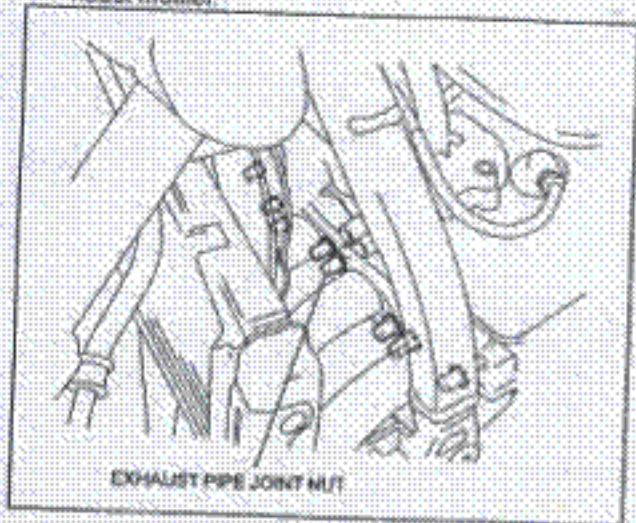
2. Remove the following parts as shown.



3. Remove the socket bolts as shown.

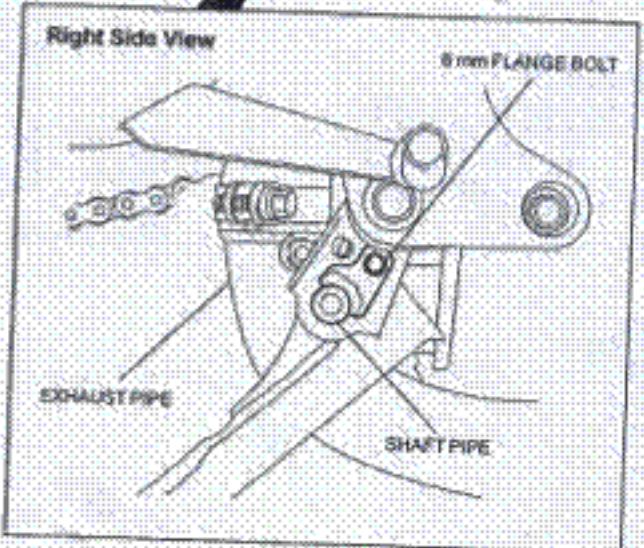
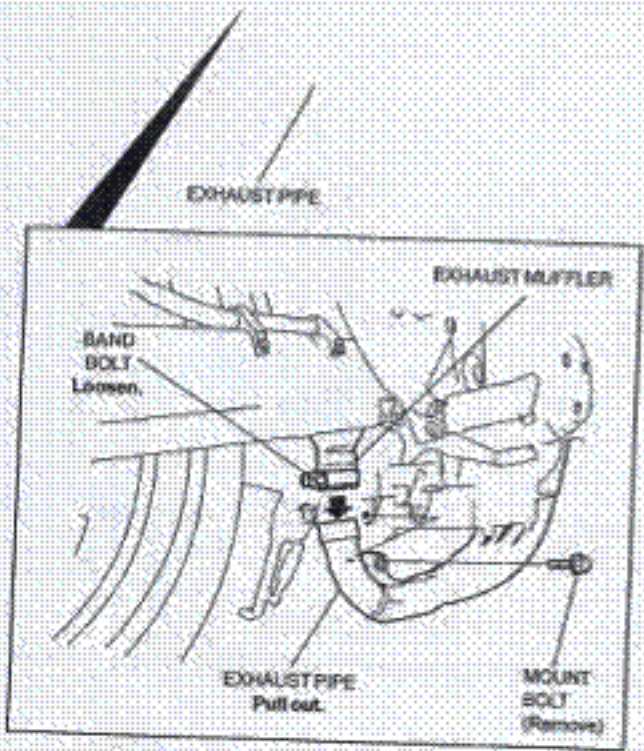
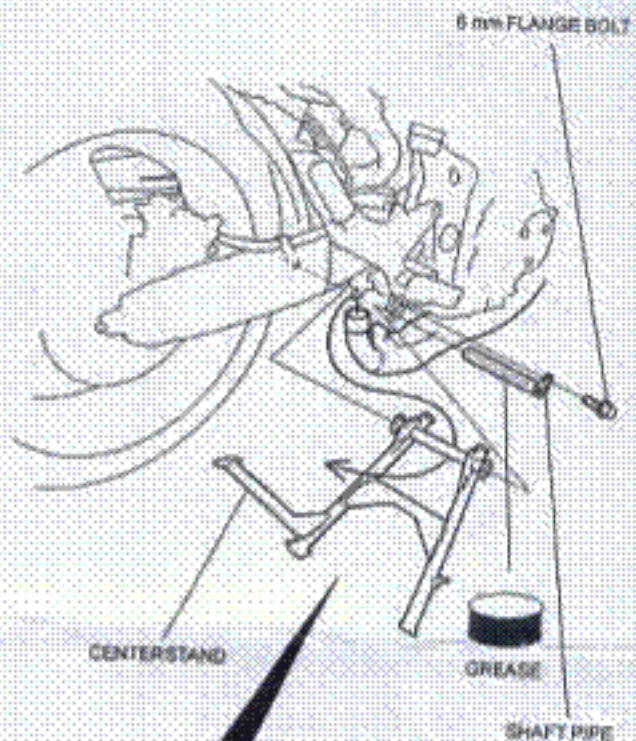


- Loosen, but do not remove the eight exhaust pipe joint nuts so that the exhaust pipe is significantly loose. Remove the mount bolt and loosen the band bolt. Remove the exhaust pipe by pulling it from the exhaust muffler.



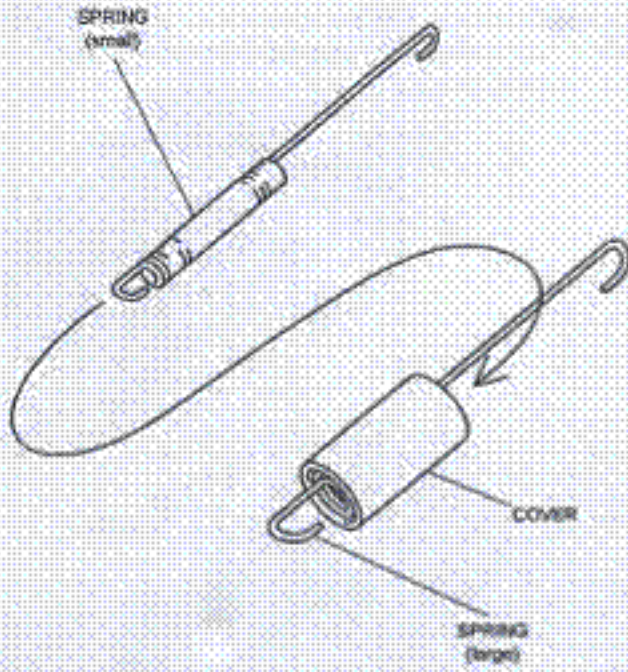
- Apply grease to the shaft pipe and install the centerstand as shown. Reconnect the exhaust pipe.

TIP: To ease installation over the exhaust pipe, insert the centerstand level with the motorcycle and at an angle from the right side.

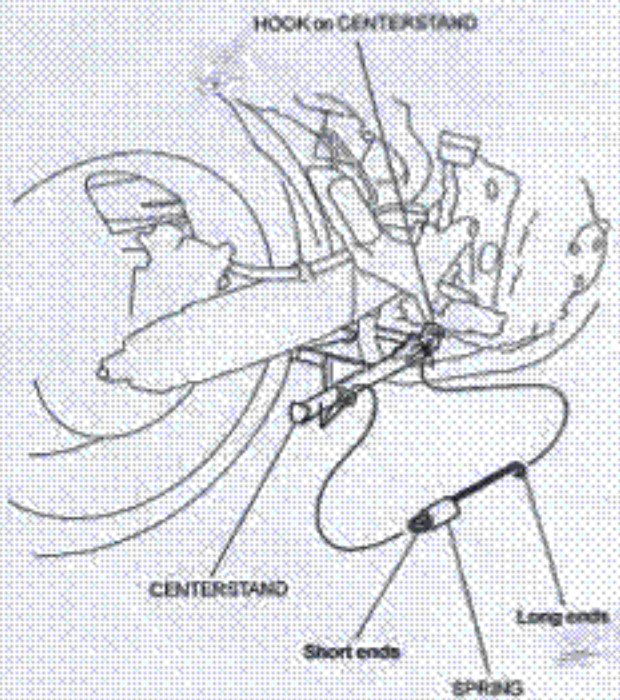


How to install Honda 919 Center Stand

6. Assemble the springs as shown. Slide the cover over the large spring.

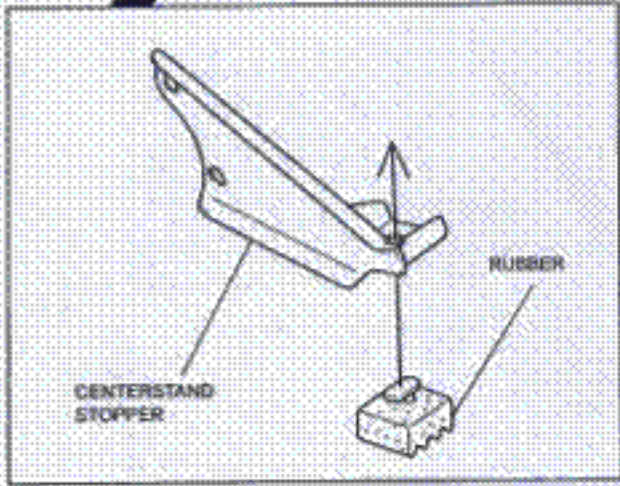
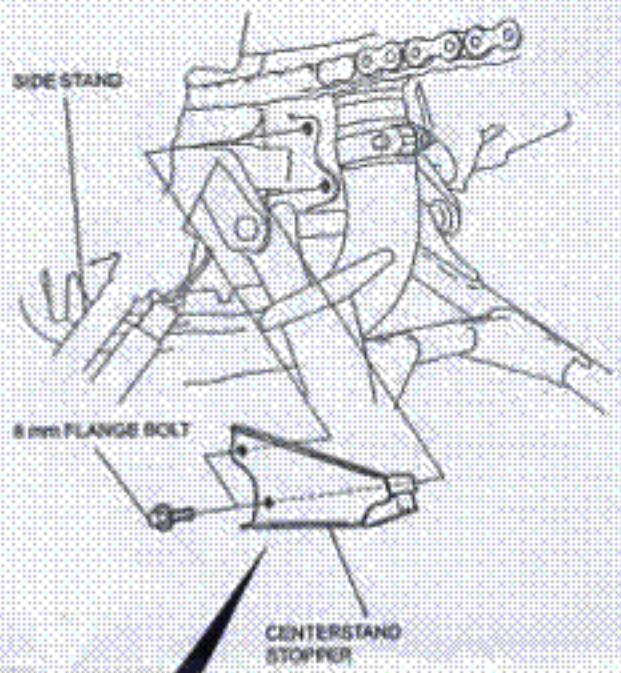


7. Install the assembled springs on the centerstand as shown starting with the large spring.



8. Install the centerstand stopper and rubber as shown.

Left Side View



9. Reinstall the removed parts in the reverse order of removal.

CHECK AFTER INSTALLATION

Operate the centerstand and check for interference.